



Welcome



NatPower

NatPower

GROWING BY NATURE

Welcome to our consultation event for the proposed Battery Energy Storage System.

We are keen to share our plans with you. They include not just energy storage, but also areas reserved for habitat enhancement and tree planting to support local wildlife and help screen the site.

Please take your time to review all the material on display and direct any questions to our project team. We would also like to hear what you think about our Community Energy Transition Foundation, which would invest in local initiatives to promote sustainable communities. Tell us how we can help in your local area.

We welcome any feedback you would like to share with us.

Alternatively, scan the QR code below which will take you to our project webpage where you can find all of the information on display here today, as well as a digital feedback form.

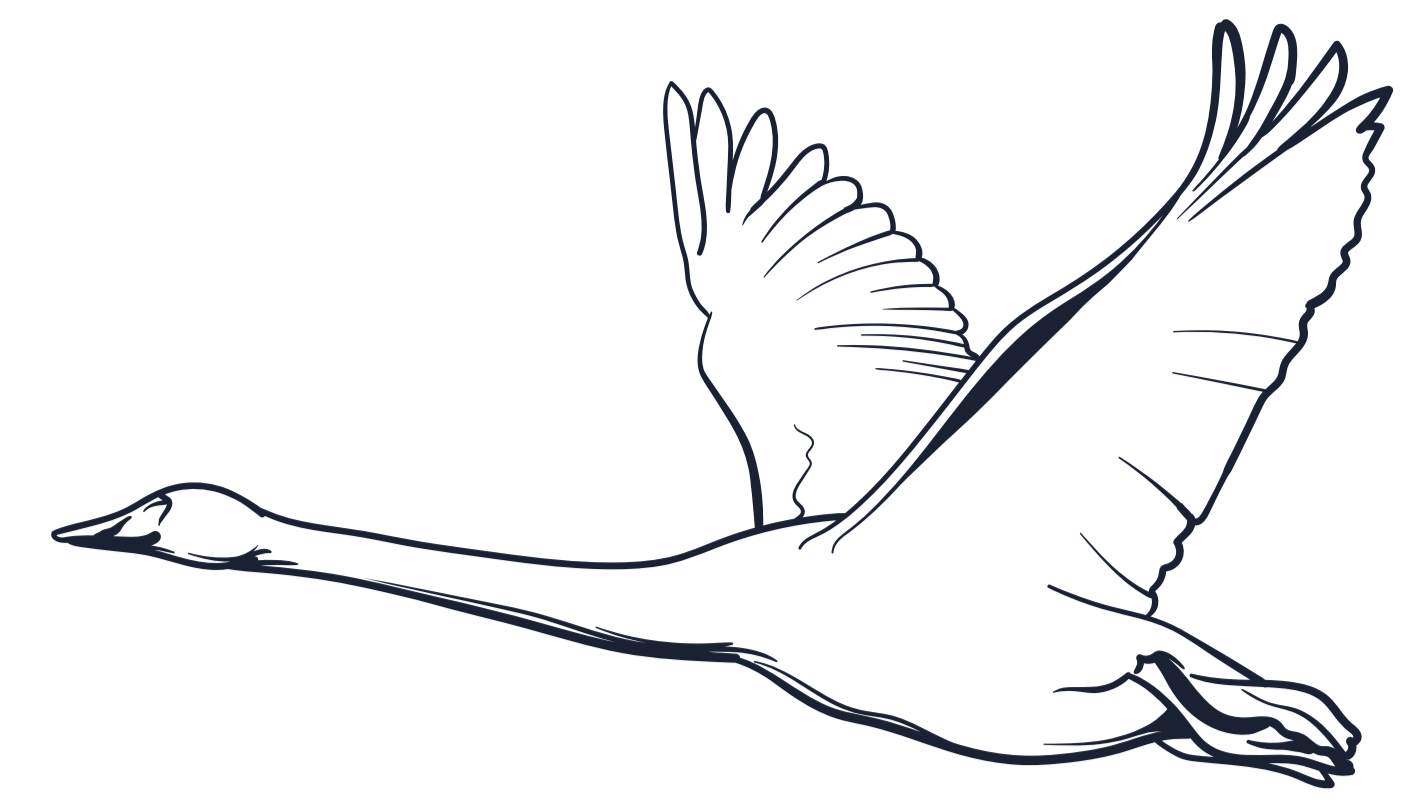
We will be listening to feedback in this consultation before submitting a planning application.



Find out more

→ www.natpower.uk/our-projects

NatPower



Introducing NatPower

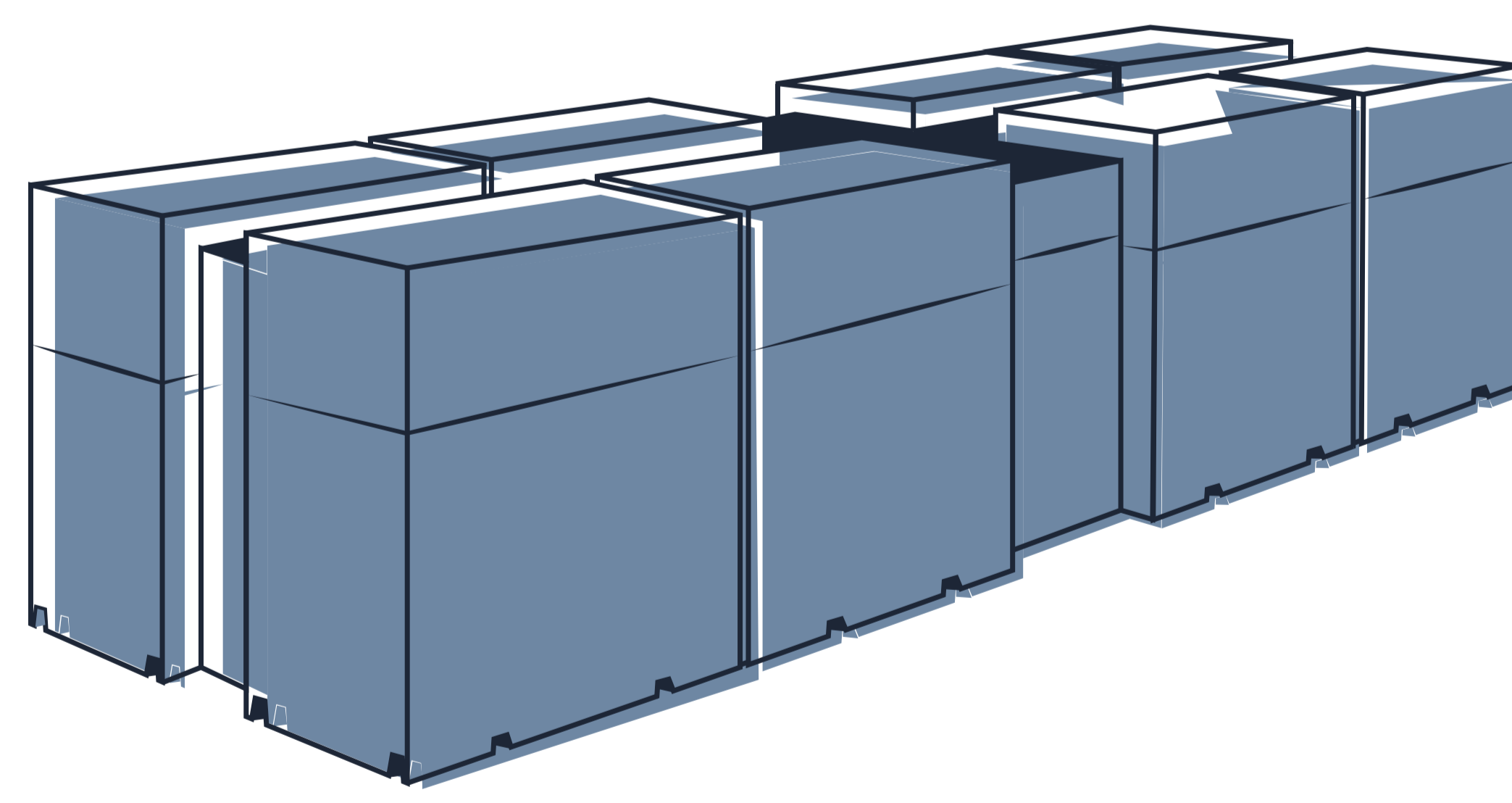
NatPower UK is part of the NatPower Group, an independent, well-capitalised energy enabler, with 25 years' experience and 30GW of assets developed across 20 countries and six continents.

We are making a meaningful contribution to the UK's need for clean, secure and affordable energy. By delivering more than 60GWh of energy storage across the country, we are aiming to provide 20% of the energy storage requirement of the UK by 2040. We are also bringing forward wind and solar farms in different places to contribute cleaner energy for the UK.

We develop, build and manage our own projects. That means that we are long-term partners in our communities – and we look to work with local residents, businesses and community groups to bring the benefits of the clean energy transition to the places we operate. That includes designing our projects in a way that is sensitive on the environment and our neighbours – but it also means investing directly into our communities to assist them in becoming the most sustainable in the UK.



**60GWh of
energy storage**
across the UK.



**20% of the energy
storage requirement**
of the UK **by 2040.**



Battery storage - the need

The UK is committed to achieving net zero by 2050 and expects to completely decarbonise its energy network by 2035. In the future, wind and solar will be the main ways that we generate energy across the UK.

We are forecast to use more electricity in future. As we stop using fossil fuels to power our cars and heat our homes, the country expects to double the amount of electricity it uses by 2050.

That means we need access to reliable, consistent supplies of electricity. Battery storage has a vital role to play: wind and solar farms don't generate electricity consistently, but batteries allow us to store electricity and release it at times when it is most needed.

The United Kingdom imported 37% of its primary energy in 2022 from foreign countries. This leaves us vulnerable to price increases when there are issues with supply abroad. Battery Energy Storage will help to keep electricity affordable and our supplies secure.

By adopting this sustainable approach, we can help to ensure a cleaner, more secure energy supply for future generations.

nu